

WAREHOUSE

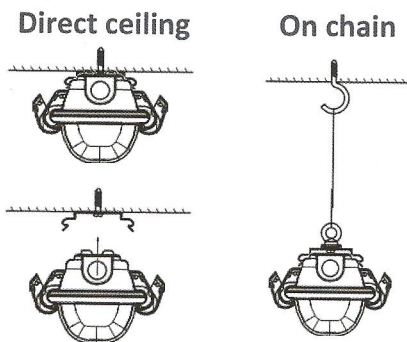


**HIGH EFFICIENCY
LED WAREHOUSE LUMINAIRES
MADE IN SLOVENIA**

Luxtella warehouse luminaries are low-cost, technical luminaries that are designed to fulfil the need for illumination of industrial areas like warehouses, garages and production halls and outside under roof overhangs and carports.

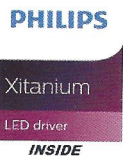
Mechanical characteristics

- Housing and opal cover made of high quality and UV stabilised Polycarbonate.
- Standard equipped with plastic clips. Stainless clips are available upon request.
- Bottom part in RAL 9006, opal diffuser cover LED light source.
- PU foam gasket ensure IP65. IK8 impact resistance.
- There are 2 types of fixation.

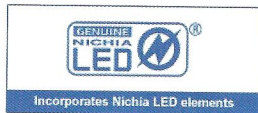


Electrical characteristics

- 220-240V input
- Power factor at full load more than 0,95.
- Up to 97% driver efficiency at full load with Philips Xitanium led driver.
- Dimming options: Integrated or separate connected motion detector (microwave or PIR) as option. Possibility to connect several lamps to the lamp with a motion detector. Upon request also available drivers with DALI or 1-10V dimming.
- Protection class II.
- Lamps can be wired as single lamp with 1 input. Upon request we can supply also lamps for wiring in longer series (1 input and 1 output).



LEDs



We use highly efficient & reliable Nichia LEDs which ensure long term operation for the lifetime of the luminary and highest lm / w efficiency in the industry. In the below spreadsheet total – system W is stated. The below lumen is system lumen. Standard colour temperature is 4000K. Other colour temperatures are available upon request.

Full power	Reduced power*	Full lumen (sys)	Reduced lumen (sys)*
40W	8W	4480lm	1060lm
50W	10W	5280lm	1300lm
60W	12W	5760lm	1550lm
70W**	14W	6190lm	1800lm

* Dimming function is optional and upon request.

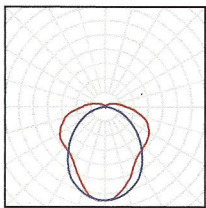
**Luminary with Full power 70W is allowed to use only outside under roof overhangs and carports (T_{ambient} MAX. 20°C)

Optical characteristics

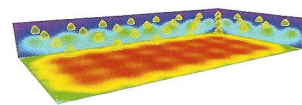
- Standardly we are using PMMA that is 100% UV resistant which prevents against yellowing over the entire life time of the lenses.
- Polycarbonate lenses ensure high impact resistance.
- Photometric files are available upon request.
-

Optic O, 80 % optical efficiency, 80 deg viewing angle

Symmetrical beam, suitable for 2 – 6m high installations



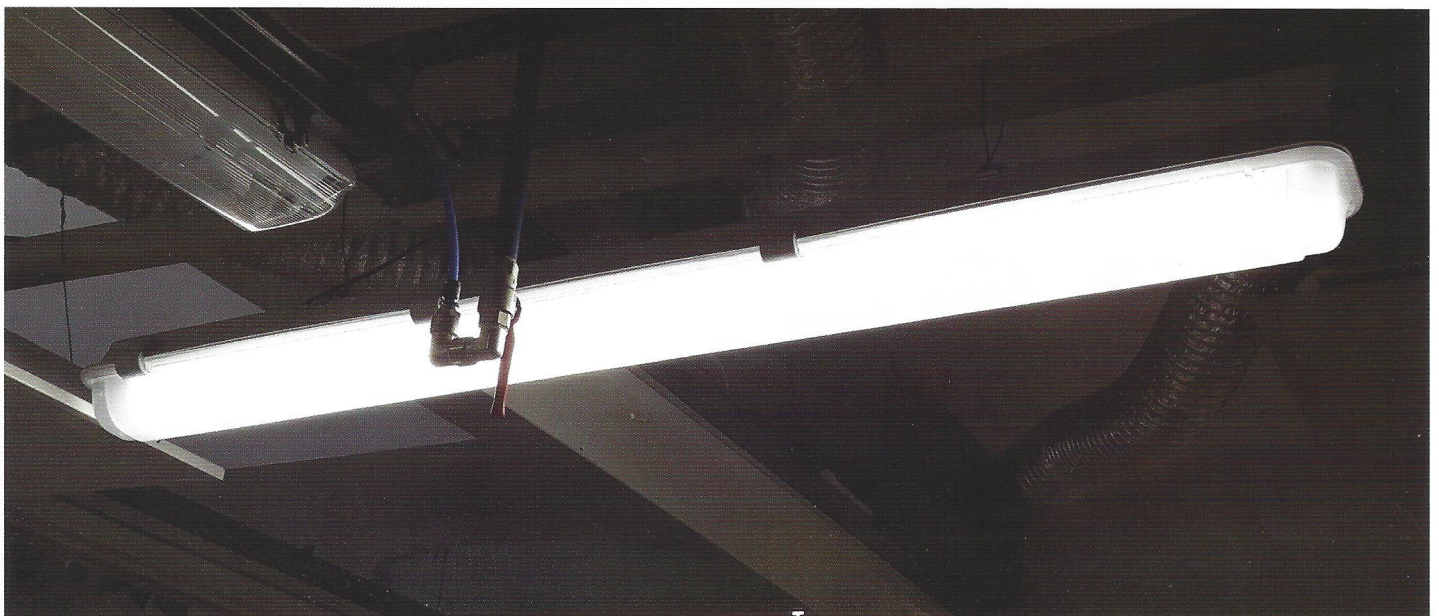
Luminaire installation height: 5 meters
Number of luminaires: 50 pcs
Luminaire wattage: 40W
Avg. illuminance at floor level: ≈300 lx
Illuminance uniformity on the floor level (u0): typical 0,39
Total power consumption: 2,9 kW (≈2,32 W/m²)



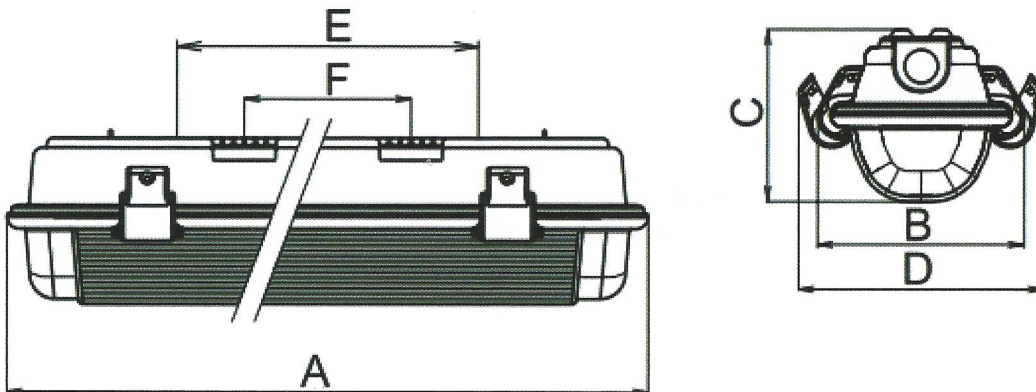
Above are just calculation examples, please send us specific data and we will make a lighting study for you!
For lamps suitable for higher ceilings and more precise optics, please search among Luxtella industrial luminaires.

“Master” lamp with motion detector and “slave” lamps (Optional)

- For higher energy efficiency, you can connect a **master lamp with a motion detector** to several lamps that are connected to the lamp with the motion detector.
- In this case, all lamps will be on reduced mode until the motion detector detects some movement. After detecting movement all lamps connected to the master lamp with the motion detector will light up to 100% power. After 10 minutes of no movement all lamps will dim to reduced power.



Dimensions and weight



Dimensions: AxBxCxDxExF [mm] 1290 × 132 × 110 × 156 × 790 × 700

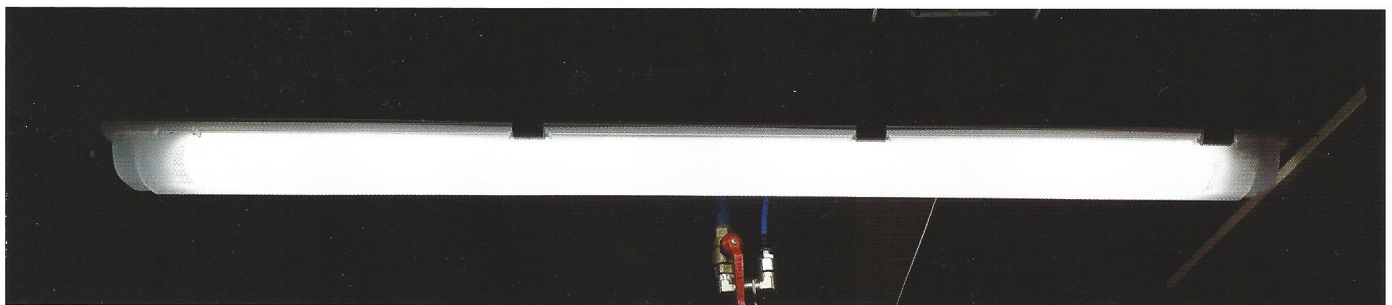
Net Weight: 1,4kg

Operating temperature from -40°C up to 35°C. (70W model: -40°C up to 20°C)

Our standard warranty is 5 years but can be extended at an extra cost

Code for ordering

	TYPES OF FIXATION	PROTECTION CLASS	LED TYPE	NUMBER OF MODULES	OPTICS	mA	REGULATION	WIRING
L	W Ceiling / wall	2 protection class II	N Nichia - 4000K, CRI80	2 2 modules (60led)	O Opal cover Symmetrical		R No regulation	S Single lamp
	U Suspended						M Master lamp, microwave d.	P Wiring in longer series
							F Slave lamp	
							X 1-10V	
							D DALI	



The manufacturer reserves all rights to make changes in materials and components used in its products. All data is subject to change without prior notice.