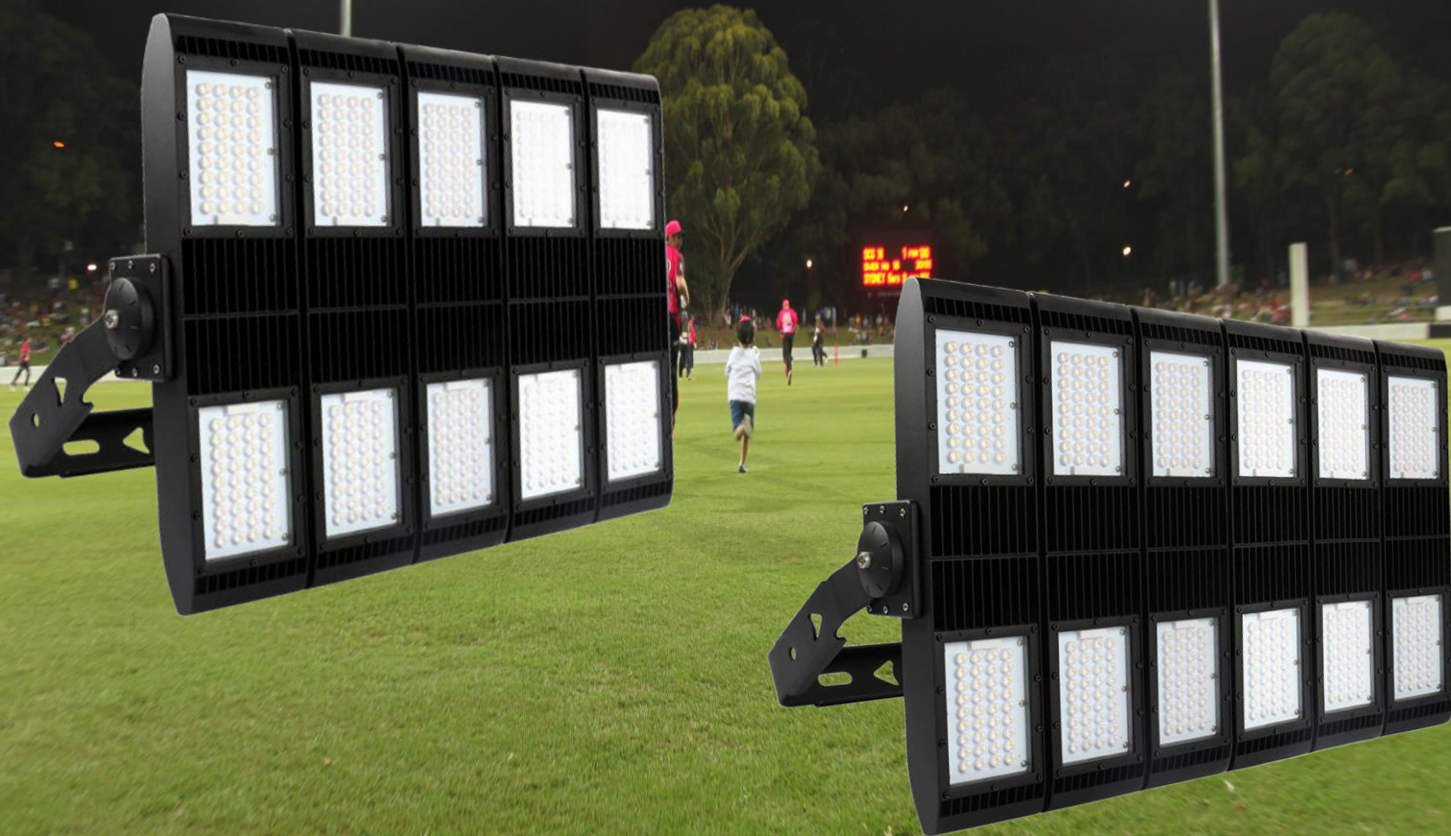




Ultimate SERIES LED FLOODLIGHT

LED Sports Lighting

User Manual



1. Introduction

Materials

Patented fin aluminium heatsink structure; High quality aluminium processing technique; Special surface treatment process; High brightness LED light source, high efficiency and long life power supply.

Applications

Widely used in outdoor sports field, stadiums, soccer field, football pitch, baseball stadium, arena, hockey field, sea port, airport, high mast and etc..

Features

1. LEDs from Philips Lumileds with high thermal conductivity, good heat-radiation, small light decay, pure light, no ghosting, stable performance and quality advantages.
2. Unique thermal management design low LED junction temperature effectively, ensure the lifespan of the light source and power.
3. Extremely light weight for safety use and installation
4. Eco-friendly and energy saving, dust-proof, no radiation and emitting heat, no mercury, lead and other pollution elements.
5. High color rendering index to show the physical color rendering more real. Various colors is optional to meet the needs of different environments. Eliminating the repressed emotions caused by the traditional lamp in high or low color temperature, the light is visual comfort, and improve the work efficiency.
6. Power by constant current and voltage, can work in wide voltage range AC90V-305V. Overcome the unstable on the light caused by ballast disturbance, noise pollution, avoid the stimulus work to eye fatigue.
7. Using a special surface treatment process, new design on appearance. Simple installation, easy disassembly. Wide range of application.

II. LED Flood light Parameter:

@ -FL-800W

Model	NE-FL-800W	
Input Voltage	AC90-305V	
Frequency	50-60 HZ	
LED Source	CREE XTE	
LED Power	730W	
Total System Power	800W	
LED Qty	360 Pcs	
Led Luminous Efficiency	109 lm / W	
Initial Luminous Flux	80000 LM	
Color Temperature	2700K - 7000K	
Color Rendering Index	Ra > 70	
Working Temperature	-40°C ~ 50°C	
Storage Temperature	-40°C ~ +65°C (Best 25°C)	
IP Rating	IP 65	
Net weight	38.7KG	
Life-span	>50000H	
Connecting Wire	Brown	L live
	Blue	N Neutral
	Yellow/Green	G Earth
Light Fixture Color	Black	

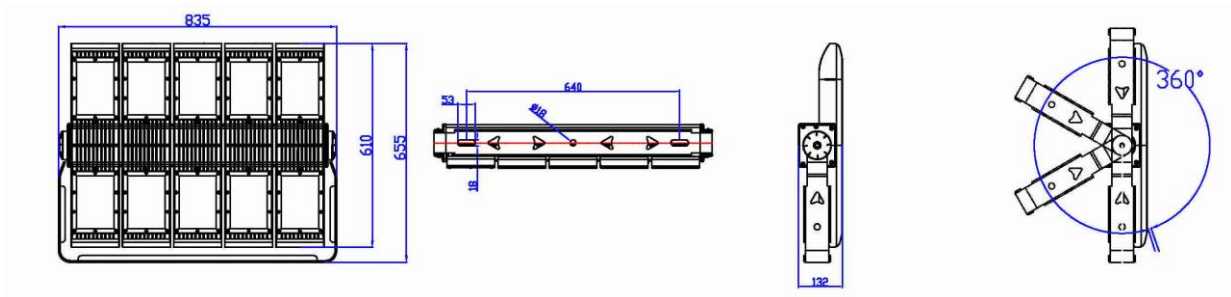
@ -FL-960W

Model	NE-FL-960W	
Input Voltage	AC90-305V	
Frequency	50-60 HZ	
LED Source	CREE XTE	
LED Power	870W	
Total System Power	960W	
LED Qty	432 Pcs	
Led Luminous Efficiency	120lm / W	
Initial Luminous Flux	105,600 LM	
Color Temperature	2700K - 7000K	
Color Rendering Index	Ra > 80	
Working Temperature	-40°C ~ 50°C	
Storage Temperature	-40°C ~ +65°C (Best 25°C)	
IP Rating	IP 65	
Net weight	45.3KG	
Life-span	>50000H	
Connecting Wire	Brown	L live
	Blue	N Neutral
	Yellow/Green	G Earth
Light Fixture Color	Black	

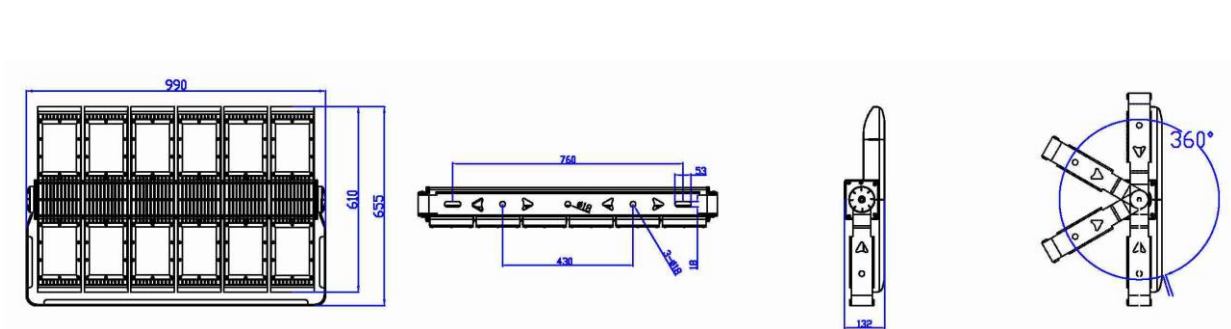
Remark: The light parameters may differ between different color temperature, tolerances ≤ 5%.

III. Product Dimension

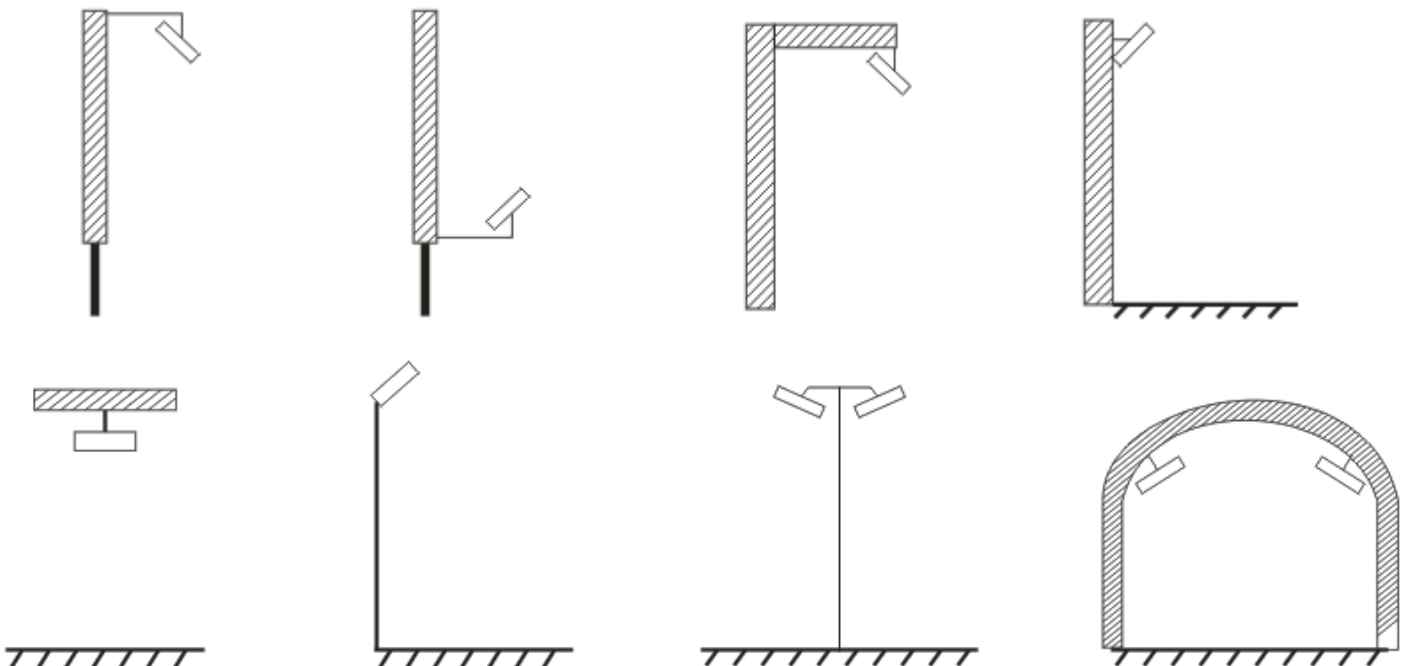
800W



960W

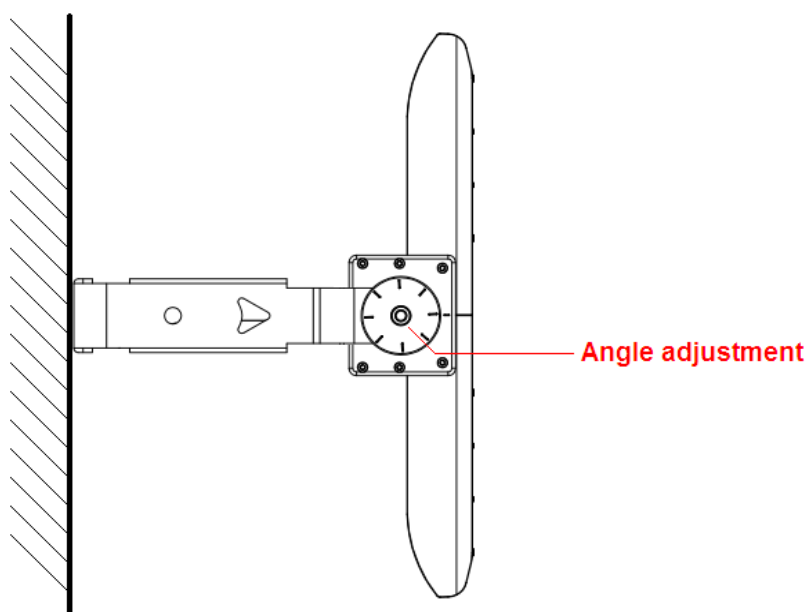


IV. Various Mountings

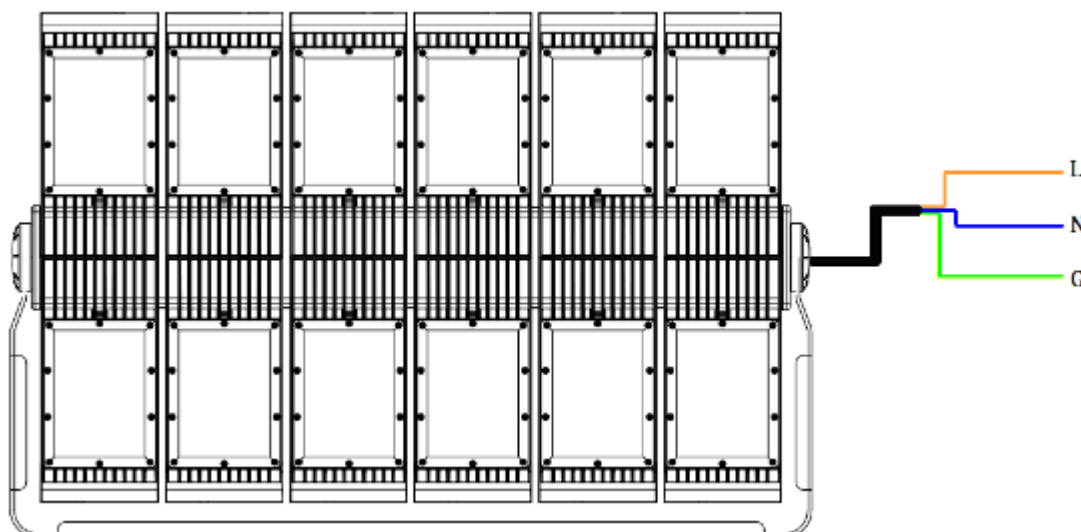


V. Installation Instructions

1. Fix the light on mounting frame and keep stable placement.



2. For safety, make sure the power cables are connected by electricians.



VI. Maintenance / Repairing Instructions:

- Make sure the power has been turned off before maintenance and ensure the installation position to withstand the weight of the lamps
- To prevent the shedding of light, confirm the installation is correct
- Do not use in the place where corrosive gases
- Don't cover the light
- To be safe, properly connect the earthed
- We have five-year warranty from the purchase date, But the product of decomposition, modification, or construction fault caused by improper is not within the scope of this guarantee

5. Package

	ŠÔ-FL-800W	ŠÔ-FL-1000W
N.W	38.7kg	45.3kg
G.W	44.7kg	52.3kg
Packing Size(W ,L,H)	76*95*26 cm	79*110.5*26 cm

